

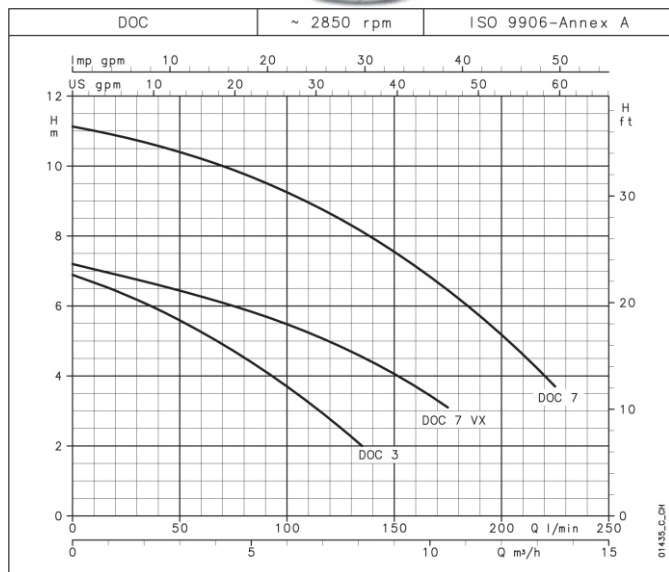
DOC

Submersible pumps for clean and dirty water. Corrosion resistant and compact, they are available in three versions with channel or vortex impellers. Supplied with or without float switch. Built-in capacitor. The motor is cooled by the pumped liquid and thermal overload protection is built in to protect the pump in case of overheating.



Applications

- Septic tanks
- Cellar drainage
- Ponds & water features
- Emptying of tanks or reservoirs
- Emergency draining of flooded areas or rooms



Prices

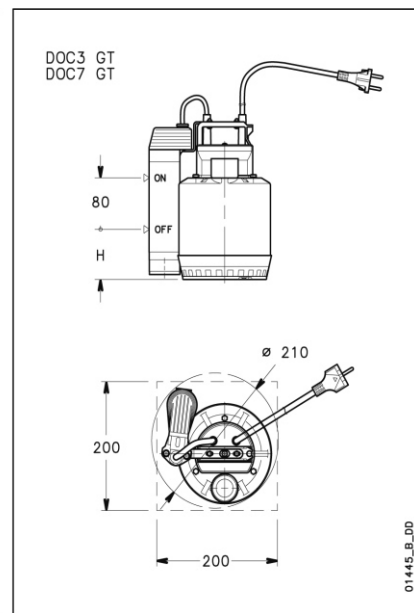
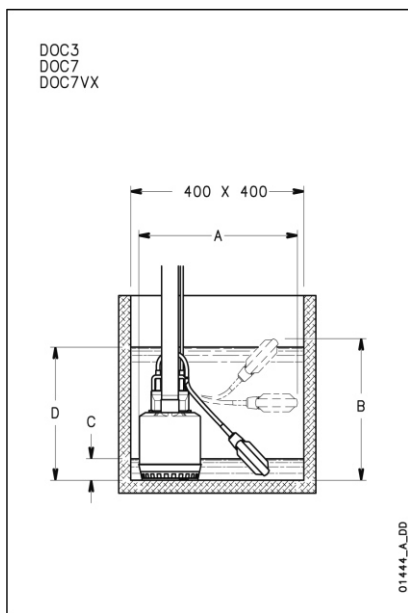
	Manual	Auto
Doc 3	£150.00	£170.00
Doc 7	£225.00	£245.00

All prices are exclusive of VAT.

Specifications

- Delivery:** up to 14 m³/h
- Head:** up to 11 m
- Power supply:** three-phase and single-phase 50 and 60 Hz
- Power:** 0.25 kW to 0.55 kW
- Maximum immersion depth:** 5 m
- Temperature of pumped liquid:** 0°C to +40°C
- Liquids with suspended solids:** DOC 3 and DOC 7 up to 10 mm, DOC 7VX up to 20 mm
- Insulation class:** B
- Protection:** IP68
- Length of cable:**

10 m (for external use)



PUMP TYPE	DIMENSIONS (mm)	MINIMUM WATER LEVEL			MAXIMUM WATER LEVEL	
		C	D	H		
DOC3	DOC3 GT	390	330	50	310	90
DOC7	DOC7 GT	390	370	90	350	90
DOC7VX	-	390	395	115	375	-



TP PUMPS Limited
the pumping and filtration specialists

- t** 01769 579487
- f** 01769 574600
- e** sales@tppumps.co.uk
- w** www.tppumps.co.uk